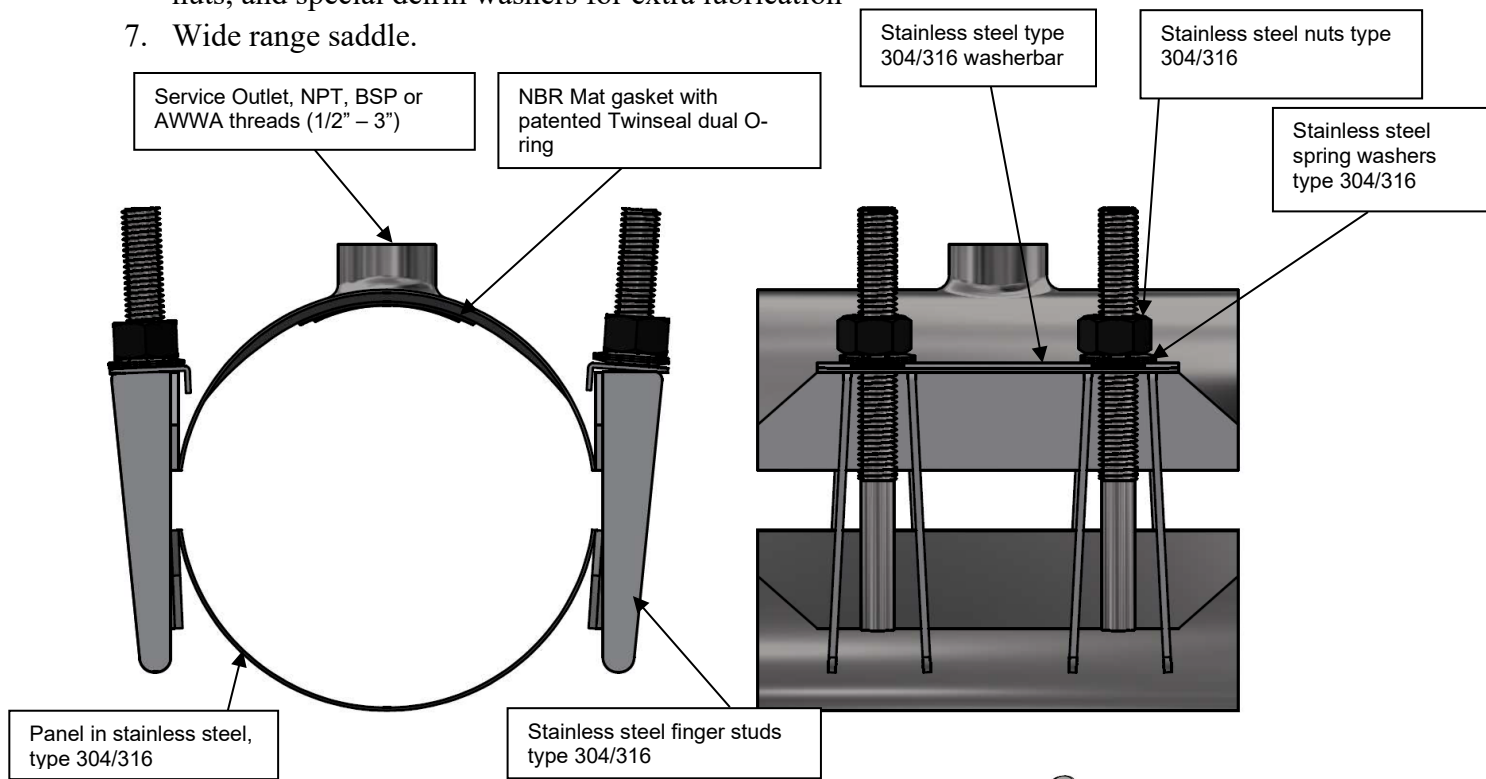
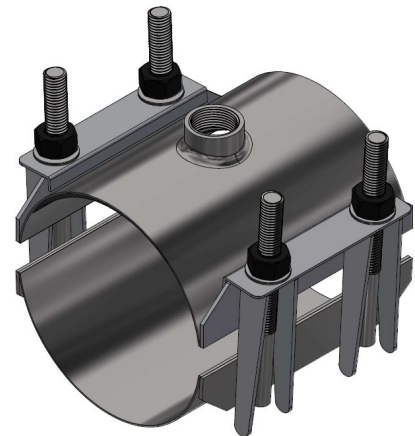


**Features and Benefits**

1. Materials do not compromise the integrity of the pipeline.
2. Captive finger stud sub-assembly design makes installation easy and eliminates loose pieces in the field.
3. Due to stainless steel panel construction saddles can be manufactured to fit any pipe diameter.
4. Saddles are available with NPT, BSP or AWWA (CC) tapped outlets 1/2" - 3".
5. Patented NBR tapered end O-ring mat gasket design ensures a watertight seal to all classes of pipe.
6. Stainless steel finger stud sub-assembly fitted with stainless steel washer bar to support nuts, and special delrin washers for extra lubrication
7. Wide range saddle.



3414AS-PE-BABA				
Pipe Size		Pipe OD Range		Width
in.	mm.	in.	mm.	in
4	100	4.50 - 5.10	114 - 130	8
5	125	5.54 - 6.14	141 - 156	
6	150	6.63 - 7.23	168 - 184	
8	200	8.63 - 9.83	219 - 250	
10	250	10.75 - 11.95	273 - 304	
12	300	12.75 - 13.95	324 - 354	
<b>FOR 3" OUTLETS THE PANEL WIDTH IS 12"</b>				
<b>FOR 4" OUTLETS THE PANEL WIDTH IS 16"</b>				



**Scope**

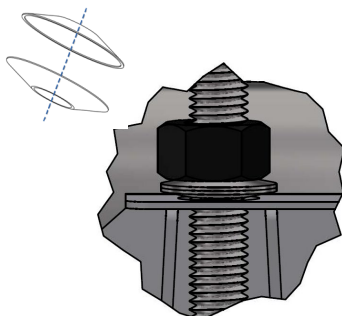
The intent of the specification is to receive a 4” – 12” diameter stainless steel saddle. The saddle furnished shall be equivalent to model 3414AS-PE-BABA as manufactured by PowerSeal Pipeline Products Corporation.

**Design and Material Specification**

The stainless steel saddle shall meet or exceed all material specifications as listed below:

1. The exterior band of the saddle shall be Type 304/316 (18-8) stainless steel.
2. The saddle shall have an o-ring mat gasket with tapered ends permanently attached to the panel at the factory.  
 The O-ring mat gasket shall be our patented design in NBR. It shall be free from porous areas, foreign material, and visible defects, all made from 100% new rubber. The NBR resists temperatures of -25 to +248°F.
3. Finger stud sub-assembly shall be permanently attached by way of welding during manufacture at the factory. The weld shall be fully passivated.
4. The stainless steel female outlet shall be permanently attached to the saddle via a fully passivated weld during manufacture at the factory.
5. There shall be no paper or plastic adhesive labels attached to the saddle, any information appearing on the saddle shall be stenciled.
6. Spring washers in stainless steel type 304 per ASTM A240.
7. Fully complies with AWWA C800 and NSF 61and BABA requirements.

Material Specifications		
Part Name	Material	Mat. specs
Panel	Stainless Steel type 304/316	ASTM A240
Base Plates	Stainless Steel type 304/316	ASTM A240
Bolts	Stainless Steel type 304/316	ASTM A193
Nuts	Stainless Steel type 304/316	ASTM A194
TwinSeal Matt	NBR	ASTM D2000
Washerbar	Stainless Steel type 304/316	ASTM A240
Spring washers	Stainless Steel type 304/316	ASTM A240



**Waterworks pipes can experience changes due to temperature and pressure depending on the field conditions. High-Density Polyethylene Pipe (HDPE) possesses mechanical and thermal properties that cause the expansion or contraction of the pipe because of these changes. 3414AS-PE with spring washers design will support those possible pipe changes without compromising the tightness of the saddle.**